

*[product overview]*

eicon  
technology  
corporation

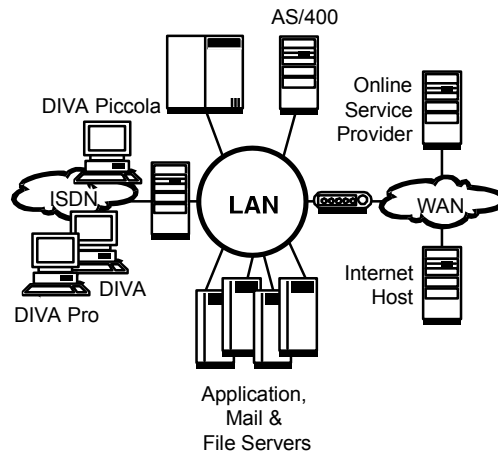
---

## ***DIVA Desktop Solutions***

Eicon Technology's DIVA family of PC-based adapters are ideal client solutions for remote users requiring reliable, high-speed access from their desktop to the networked enterprise. There are currently three DIVA Desktop Solutions: DIVA, DIVA Piccola, and DIVA Pro 1.0. All are available in ISA bus, with S/T interface or bundled with the Eicon NT1.

These DIVA cards are available in various Microsoft solution packages. Depending on the adapter features, these solutions are tailored for the Windows 95, Windows NT and Windows 3.x environments, making them the complete ISDN solution for small office/home office (SOHO) corporate users. With the SOHO market definitely on the rise, the necessity for fast and reliable communications from remote locations is clearly in demand.

By tightly integrating the application environment with integrated ISDN connectivity, DIVA adapters provide remote workstations with reliable high-speed access to corporate networks and on-line information services.



*Complete Remote ISDN Access for SOHO Users*

## ■ **Product Highlights**

- Worldwide Communication
- Full WAN Connectivity
- Full CAPI Compliance
- Trace Diagnostic Tool
- *DIVA* - features a DSP and FAX support
- *DIVA Piccola* - features Plug and Play
- *DIVA Pro 1.0* - features Analog over ISDN, Plug and Play, and a DSP with FAX support
-

## ***What's in it for SOHO user?***

SOHO users need fast and reliable dial-up connections to corporate networks and on-line information services to access information they would normally have from their corporate LAN, like email and databases.

The DIVA adapters provide high-speed and reliable ISDN access for remote users to corporate LANs and the Internet. By supporting two B-channels, multi-tasking is possible, providing SOHO users with a more efficient communications solution.

<b><i>Feature</i></b>	<b><i>Benefit</i></b>
Worldwide Communication Ability	The DIVA adapters operate by supporting two B-channels for data transmission with transfer rates of 64kbps each, and one D-channel for call set-up, with a transfer rate of 16kbps. The D-channel protocols support major national ISDN-protocols. The DIVA adapters are equipped with an S/T interface and can be purchased with an external Eicon NT-1 (primarily for North American users) which provides the U-Interface to accommodate the connection between the ISDN line and ISDN device. The support of D-channel protocols and the availability of both interfaces facilitates ISDN communications anywhere in the world.
Full WAN Connectivity	When used in conjunction with the appropriate software, Eicon's DIVA cards allows remote stand-alone PCs to communicate with central site LANs, remote access distributed servers, traditional host computers, and on-line information services over ISDN. The DIVA cards enable clients to access networks at up to 5 times that of an analog modem.
Full CAPI 1.1 and 2.0 Compliance	Eicon's DIVA card provides an integrated solution that enables new applications to operate transparently over ISDN. This is accomplished by DIVA's support for CAPI (Common Application Programming Interface), an industry standard for cross-platform software compatibility. Any application written to CAPI 1.1 and/or CAPI 2.0 is supported by the DIVA card, making it a compatible and non-proprietary ISDN solution
Trace Diagnostic Tool	The trace diagnostic tool for the B- and D-channels provides information about the card's status in the event of a problem.

---

## ***What's in DIVA for SOHO user?***

The DIVA is available in all three Windows solution packages tailored for the Windows 95, Windows NT and Windows 3.x environments. The DIVA adapter provides a complete ISDN solution for small office/home office (SOHO) corporate users

With the DIVA, SOHO users have the necessary tools to work quickly and efficiently from a remote location. High-speed access to corporate networks and Intranets, the Internet and on-line information services is now attainable.

<b><i>Feature</i></b>	<b><i>Benefit</i></b>
DSP Programmed for ISDN	The Digital Signal Processor (DSP) is a communications processor programmed specifically for ISDN to handle all Layer 1 protocols that would otherwise be off-loaded to the PC's CPU. This processor ensures maximum security of data transmissions, higher speed (10MIPS) and extensive storage capacity. As a result, it reduces the load on the system, allowing the PC to perform faster and more efficiently.
Group 3 Fax Support	This DSP also provides the Group 3 fax support allowing users to send faxes over ISDN, right from the desktop, using popular applications such as Microsoft Exchange and Delrina WinFax Lite.

---

## ***What's in DIVA Piccola for SOHO user?***

To be successful in today's fast-paced environment, SOHO users require fast access to information.

To satisfy the increasing demand for an efficient and economical work environment, the DIVA Piccola is the ideal solution for SOHO corporate users who are looking for a competitively priced ISDN adapter to supply fast and reliable communications to corporate networks.

Eicon Technology offers the DIVA Piccola ISDN adapter for remote Windows 95 desktop PCs needing basic high-speed remote access to central networks.

<b><i>Feature</i></b>	<b><i>Benefit</i></b>
Plug-and-Play Support	With Plug-and-Play support, in accordance with Microsoft/Intel standard, the DIVA Piccola provides automatic configuration of the card, ensuring trouble-free installation into the PC. There are no jumpers required and no switches to set—simply plug in the DIVA Piccola card and play!

---

## ***What's in DIVA Pro 1.0 for SOHO user?***

To provide timely and accurate responses to their customers, SOHO and remote corporate users need fast and efficient dial-up connections to corporate networks and on-line information services.

The DIVA Pro 1.0—available for the Windows 95 and Windows NT environment—provides high-speed and reliable ISDN access for remote users to corporate LANs, Intranets, and the Internet. Not only can data be transmitted digitally, but the DIVA Pro 1.0 also permits analog communications over ISDN, providing SOHO users with an extremely flexible communications solution.

<b><i>Feature</i></b>	<b><i>Benefit</i></b>
Plug-and-Play Support	With Plug-and-Play support, in accordance with Microsoft/Intel standard, the DIVA Pro 1.0 provides automatic configuration of the card, ensuring trouble-free installation into the PC. There are no jumpers required and no switches to set—simply plug in the DIVA Pro 1.0 card and play!
Supports Analog over ISDN	For situations where information can only be accessed over an analog connection, the DIVA Pro 1.0 offers remote users the flexibility of analog communication over ISDN, via V.32bis modem emulation. With the DIVA Pro 1.0, data can be both received from, and sent to, a modem over ISDN, allowing the remote user to access information from services which may not support digital communications.
DSP for ISDN	The Digital Signal Processor (DSP) featured in the DIVA Pro 1.0 is a communications processor programmed specifically for ISDN which handles all Layer 1 protocols that would otherwise be off-loaded to the PC's CPU. This processor ensures maximum security of data transmissions, higher speed (33MIPS) and extensive storage capacity. As a result, it reduces the load on the system, allowing the PC to perform faster and more efficiently.
Group 3 and 4 FAX Support	The DIVA Pro 1.0 provides both Group 3 and Group 4 fax support allowing users to send a FAX over ISDN right from the desktop, using popular applications such as Microsoft Exchange and Delrina WinFax Lite.

### **Eicon Technology Corporation**

Tel.: (514) 745-5500  
Fax: (514) 745-5588

### **In the United States, Canada, Latin America:**

Tel.: 1-800-80-EICON  
(214) 239-3270  
Fax: (214) 239-3304

### **In Europe, Middle East, Africa:**

Tel.: (44) 181 967-8000  
Fax: (44) 181 967-8050

### **In Australia, New Zealand, Asia:**

Tel.: (61) 2 9919-7200  
Fax: (61) 2 9929-6300

### **Internet:**

North America: sales@eicon.com  
Europe: sales.europe@eicon.com  
Asia Pacific: sales.asiapac@eicon.com  
Worldwide Web:  
<http://www.eicon.com/>

